



The All New Westerbeke BCGTC Series

Continuous Quality Power

Combining innovative technology and simplicity of design, Westerbeke has managed, once again, to set the standard in power generation with its new line of gasoline powered generators, the BCGTC Series.

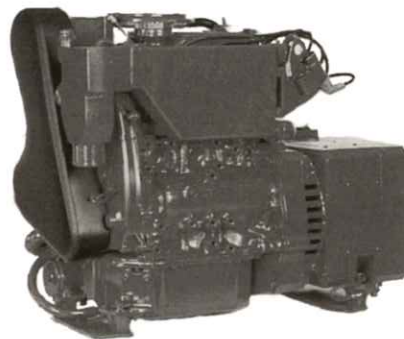
This new line of gasoline generators is powered by an industrial three-cylinder gas engine. Like most Westerbeke gensets, this series incorporates true one-side servicing for complete access to all serviceable components.

Like all Westerbeke gensets, these gasoline generators feature fresh-water cooling and are fitted with flexible mounts to prevent the transfer of vibration. Fuel is supplied via a down draft style carburetor for a smooth and precise fuel flow which results in an extremely economical and durable engine.

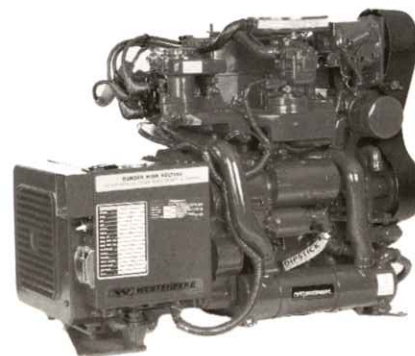
Perfect for smaller boats with limited space and heavy electrical loads, the BCGTC Series, along with its sister product, the EFI Series, are the smallest gasoline generators Westerbeke has produced. They have been designed with the boater in mind. All Westerbeke generators are backed by a five year limited warranty and by a worldwide network of master distributors and dealers.

Many features are standard equipment

- Fresh water cooling
- Vibration mounts
- 90° water injected elbow
- Coolant recovery tank
- Battery charging
- Safety stop switch
- Drip tray
- Belt guard
- Belt-driven sea water pump
- Lube oil drain hose
- Safety shut-downs — hi-coolant temperature, low oil pressure, hi-exhaust temperature
- Operator's manual and parts list
- "CE" Mark
- A.C. Circuit Breaker
- CARB certified
- EPA certified



9.6 BCGTC
Gasoline Generator



9.6 BCGTC
Gasoline Generator

Unit Dimensions

Length 27.9" (708.7 mm)

Width 14.2" (360.7 mm)

Height 21.5" (546.1 mm)

Dry Weight 293 lbs. (133 kg)

*See other side for more dimension information
Photographs may show optional equipment*

Generator Design

DESIGN: Brushless, two pole, revolving field.
VOLTAGE REGULATION: Standard +/- 5% no load to full load.
FREQUENCY REGULATION: 3 Hz (5%) no load to full load.
INSULATION: Class "H", as defined by NEMA MG1-1.65.

TEMPERATURE RISE: Within NEMA MG1-22.40 definition when operating at full load.
COOLING: Cast centrifugal blower, direct connected.
ELECTROMAGNETIC INTERFERENCE LEVEL: Meets EMC directive 89/336/EEC, amended by 92/31/EEC and 93/68/EEC.

Model	Electrical Characteristics					Ratings		Engine	
	Volts	Amps	Hertz	Phase	Wire	Power Factor	KW	RPM	Start
9.6 BCGTC*	120**	80	60	1	4	1.0	9.6	3600	Remote
8.0 BCGTC*	230	34.8	50	1	4	1.0	8.0	3000	Remote

* Adjustable for 50 or 60 hertz. **Consult factory for 120/240 volt application

Specifications

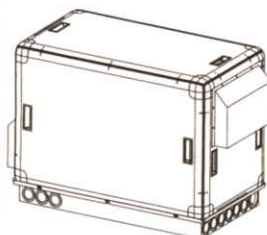
Number of cylinders	3 Cylinder vertical in-line
Type	4 cycle
Displacement	40.3 cu. in. (.66 liter)
Bore and stroke	2.56" x 2.61" (65.0mm x 66.3 mm)
Compression ratio	9.8:1
Rated rpm	60 Hz – 3600 rpm 50 Hz – 3000 rpm
HP @ 3600 rpm	16.09 HP
Maximum angle of operation	Not to exceed 25° in all directions
Exhaust elbow conn.	2.0" OD (50.8mm)
Sea water conn.	0.75" OD (19.05mm)
Dry weight	293 lbs (133 kg)
Combustion system	Semi-spherical type
Aspiration	Naturally aspirated
Lubrication system	Forced pump
Cooling system	3.5 quarts (3.4 liter)
Full load fuel consumption	1.3 GPH (4.33 LPH) (approx.)
Carburetor	Down draft type
Governor	Mechanical
Lube oil filter	Full flow, spin-on element
Lubricant capacity	2.7 quarts (2.6 liters)
Fuel transfer pump	Electric type
Fuel supply piping	1/4" ID (6.35 mm)
Starting motor	12 volt, 1.2 kw
Battery charging	17 amps, integral electric type
Cold cranking amps	120 amps @ 70 degrees F
Electrical system	12 volts DC, negative ground

Construction - Engine Components

Cylinder head	Aluminum
Cylinder block	Cast Iron
Crankshaft	Forged crankshaft, four main bearings
Valves	Overhead, rotating type
Fuel System	Carbureted w/U.S.C.G. approved flame arrestor
Cooling system	Fresh water-cooled with heat exchanger
Exhaust manifold	Cast aluminum, fresh water-cooled

Optional Equipment

- Remote start-stop panel
- Ship-shore switch
- Hydro-hush muffler and fittings
- "A" on-board spare parts kits; "B" extended cruising spare parts kit
- Anti-siphon valve for overboard cooling water discharge
- Technical Manual
- Sound Guard sound enclosure

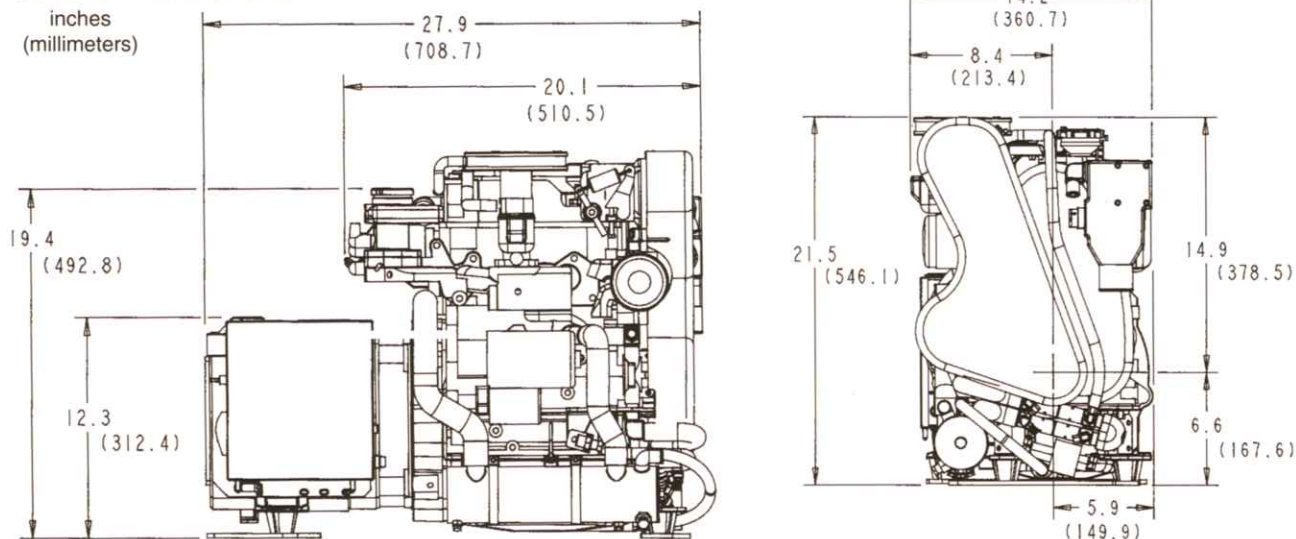


Optional Sound Guard enclosure provides optimum silencing for the generator. Ruggedly constructed with all panels removable for easy servicing and maintenance.

Length - 35.48in (901.19mm)
 Width - 17.45in (443.23mm)
 Height - 23.23 in (590.04mm)
 Weight - 40 lbs.(18.14kg)

Sound Guard base is standard on all BCGTE and BCGTC models

Basic Dimensions



Drawings are for reference only and should not be used for installation. Detailed installation drawings are available upon request.